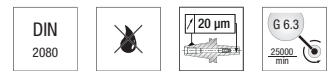
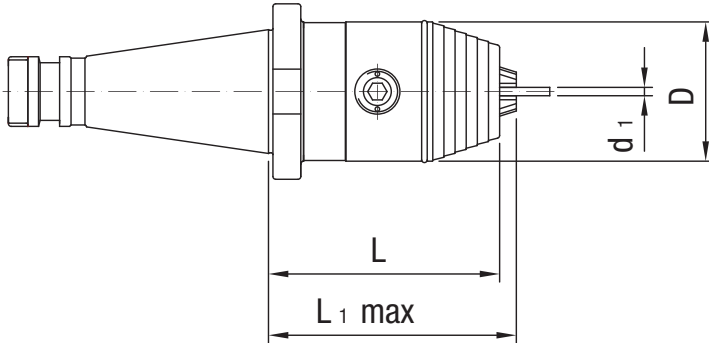


CNC Precision Drill Chuck DIN 2080, Form A



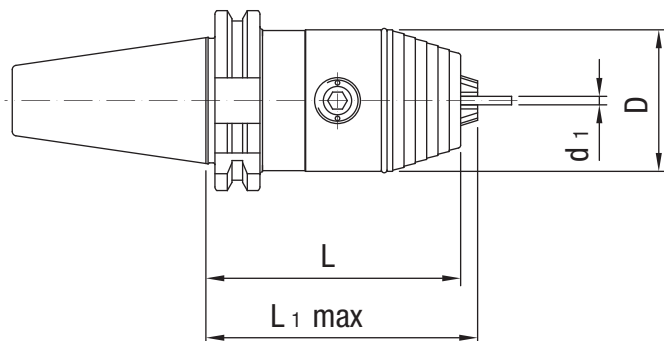
Nominal size SK/ISO	WTE Norm	Clamping range	Dimensions			Weight [kg]	Order designation	Order No.
			d ₁	D	L			
30	WTE 08	0.3 - 8	36	60	63	0.6	10.296.30.08	30335939
40	WTE 08	0.3 - 8	36	62	65	1.3	10.296.40.08	30335942
30	WTE 13	0.5 - 13	50	98	104	1.3	10.296.30.13	30335940
40	WTE 13	0.5 - 13	50	83	89	1.6	10.296.40.13	30335944
50	WTE 13	0.5 - 13	50	100	106	3.9	10.296.50.13	30335947
40	WTE 16	2.5 - 16	57	88	94	1.8	10.296.40.16	30335945
50	WTE 16	2.5 - 16	57	105	111	4.1	10.296.50.16	30335948

Dimensions in mm.

SK 30 as per DIN 2080, Form A. SK 40 and SK 50 in accordance with DIN 2080 with ring.
Spare parts and accessories at the end of this chapter. Custom designs available on request.

CNC Precision Drill Chuck ISO 7388-1, Form A

(prev. DIN 69871)



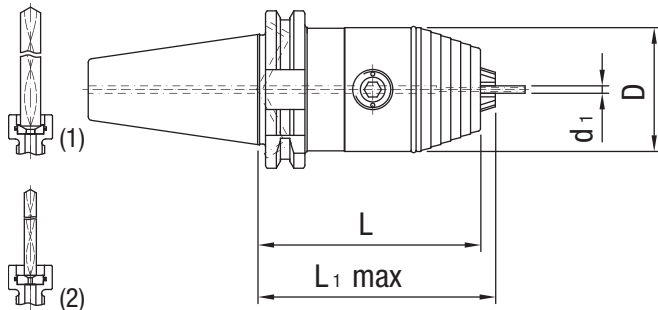
Nominal size SK/ISO	WTE Norm	Clamping range	Dimensions			Weight [kg]	Order designation	Order No.
			d ₁	D	L			
30	WTE 08	0.3 - 8	36	70	73	0.7	11.296.30.08	30335949
40	WTE 08	0.3 - 8	36	70	73	1.3	11.296.40.08	30335952
30	WTE 13	0.5 - 13	50	111	117	1.5	11.296.30.13	30335950
40	WTE 13	0.5 - 13	50	90	96	1.6	11.296.40.13	30335953
45	WTE 13	0.5 - 13	50	90	96	2.4	11.296.45.13	30335955
50	WTE 13	0.5 - 13	50	106	112	4.1	11.296.50.13	30335959
40	WTE 16	2.5 - 16	57	95	101	1.8	11.296.40.16	30335954
45	WTE 16	2.5 - 16	57	95	101	2.6	11.296.45.16	30335957
50	WTE 16	2.5 - 16	57	111	117	4.3	11.296.50.16	30335962

Dimensions in mm.

Spare parts and accessories at the end of this chapter. Custom designs available on request.

CNC Precision Drill Chuck ISO 7388-1, Form AD/AF

(prev. DIN 69871-AD/B)



Nominal size SK/ISO	WTE Norm	Clamping range	Dimensions			Weight [kg]	Order designation	Order No.
			d ₁	D	L			
40	WTE 08 IK	0.3 - 8	36	73	76	1.3	15.296.40.08	30335971
40	WTE 13 IK	0.5 - 13	50	90	96	1.7	15.296.40.13	30335973
45	WTE 13 IK	0.5 - 13	50	96	102	2.5	15.296.45.13	30335979
50	WTE 13 IK	0.5 - 13	50	106	112	3.9	15.296.50.13	30335984
40	WTE 16 IK	2.5 - 16	57	95	101	1.9	15.296.40.16	30335976
45	WTE 16 IK	2.5 - 16	57	101	107	2.7	15.296.45.16	30335981
50	WTE 16 IK	2.5 - 16	57	111	117	4.1	15.296.50.16	30335986

- (1) WTE 08 sealing disk (ø 3.2 mm) integrated into the drill chuck head, for inner coolant drills ø 4-8 mm with smooth shank acc. to DIN 6535, Form HA.
- (2) WTE 08 sealing disk (ø 1.8mm) included in scope of supply, for inner coolant drills ø 2-4 mm with smooth shank acc. to DIN 6535, Form HA.

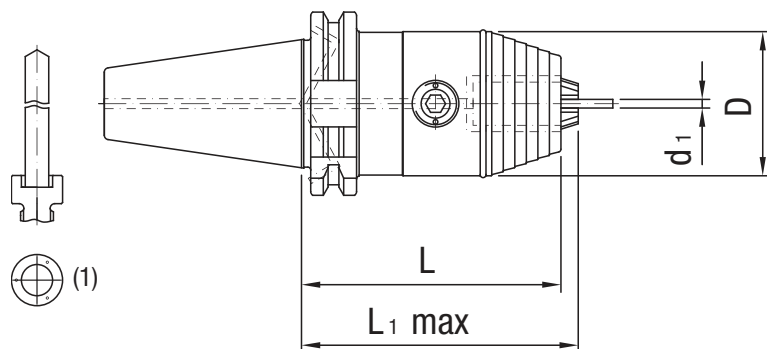
- (1) WTE 13 sealing disk (ø 4.2 mm) integrated into the drill chuck head, for inner coolant drills ø 6-13 mm with smooth shank acc. to DIN 6535, Form HA.
- (2) WTE 13 sealing disk (ø 2.05 mm) included in scope of supply, for inner coolant drills ø 3-6 mm with smooth shank acc. to DIN 6535, Form HA.

- (1) WTE 16 sealing disk (ø 4.2 mm) integrated into the drill chuck head, for inner coolant drills ø 6-16 mm with smooth shank acc. to DIN 6535, Form HA.
- (2) WTE 16 sealing disk (ø 2.05 mm) included in scope of supply, for inner coolant drills ø 3-6 mm with smooth shank acc. to DIN 6535, Form HA.

Dimensions in mm.
 Basic setting Form AD. If Form AF (prev. B) is desired, please indicate when ordering.
 Installation tool for sealing disk, spare parts and accessories at the end of this chapter.
 Custom designs available on request.

CNC Precision Drill Chuck ISO 7388-1, Form AD/AF

(prev. DIN 69871-AD/B)



Nominal size SK/ISO	WTE Norm	Clamping range	Dimensions			Weight [kg]	Order designation	Order No.
			d ₁	D	L			
40	WTE 08 IK	0.3 - 8	36	73	76	1.3	15.296.40.08.ZBA	30335972
40	WTE 13 IK	0.5 - 13	50	90	96	1.7	15.296.40.13.ZBA	30335974
45	WTE 13 IK	0.5 - 13	50	96	102	2.5	15.296.45.13.ZBA	30335980
50	WTE 13 IK	0.5 - 13	50	106	112	3.9	15.296.50.13.ZBA	30335985
40	WTE 16 IK	2.5 - 16	57	95	101	1.9	15.296.40.16.ZBA	30335977
45	WTE 16 IK	2.5 - 16	57	101	107	2.7	15.296.45.16.ZBA	30335982
50	WTE 16 IK	2.5 - 16	57	111	117	4.1	15.296.50.16.ZBA	30335987

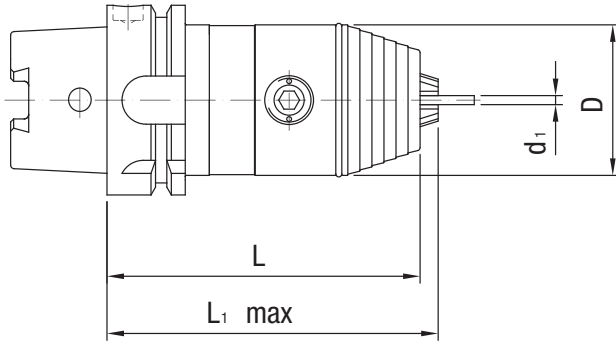
(1) Coolant supply for tools without coolant ducts.

Dimensions in mm.

Basic setting Form AD. If Form AF (prev. B) is desired, please indicate when ordering.

Spare parts and accessories at the end of this chapter. Custom designs available on request.

CNC Precision Drill Chuck DIN 69893-A

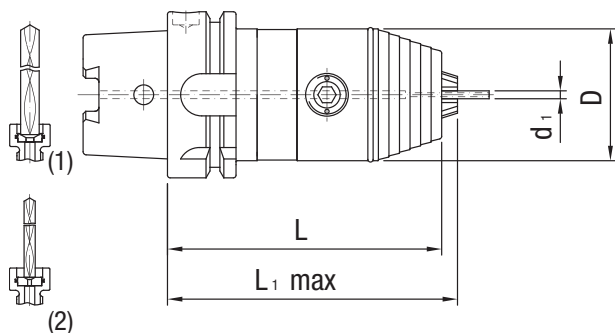


Nominal size HSK-A	WTE Norm	Clamping range	Dimensions			Weight [kg]	Order designation	Order No.
			d ₁	D	L			
32	WTE 08	0.3 - 8	36	90	93	0.5	16.296.32.08	30335995
40	WTE 08	0.3 - 8	36	91	94	0.5	16.296.40.08	30335998
50	WTE 08	0.3 - 8	36	95	98	0.7	16.296.50.08	30336001
63	WTE 08	0.3 - 8	36	96	99	1.1	16.296.63.08	30336010
50	WTE 13	0.5 - 13	50	116	122	1.4	16.296.50.13	30336004
63	WTE 13	0.5 - 13	50	104	110	1.7	16.296.63.13	30336013
80	WTE 13	0.5 - 13	50	109	115	2.1	16.296.80.13	30336021
100	WTE 13	0.5 - 13	50	111	117	3.1	16.296.100.13	30335988
50	WTE 16	2.5 - 16	57	121	127	1.7	16.296.50.16	30336007
63	WTE 16	2.5 - 16	57	109	115	1.9	16.296.63.16	30336017
80	WTE 16	2.5 - 16	57	114	120	2.3	16.296.80.16	30336024
100	WTE 16	2.5 - 16	57	116	122	3.3	16.296.100.16	30335992

Dimensions in mm.

Spare parts and accessories at the end of this chapter. Custom designs available on request.

CNC Precision Drill Chuck DIN 69893-A



Nominal size HSK-A	WTE Norm	Clamping range	Dimensions			Weight [kg]	Order designation	Order No.
			d ₁	D	L			
32	WTE 08 IK	0.3 - 8	36	90	93	0.5	16.296.32.08.Z	30335996
40	WTE 08 IK	0.3 - 8	36	91	94	0.5	16.296.40.08.Z	30335999
50	WTE 08 IK	0.3 - 8	36	95	98	0.7	16.296.50.08.Z	30336002
63	WTE 08 IK	0.3 - 8	36	96	99	1.1	16.296.63.08.Z	30336011
50	WTE 13 IKT	0.5 - 13	50	116	122	1.4	16.296.50.13.Z	30336005
63	WTE 13 IKT	0.5 - 13	50	104	110	1.7	16.296.63.13.Z	30336014
80	WTE 13 IK	0.5 - 13	50	109	115	2.1	16.296.80.13.Z	30336022
100	WTE 13 IK	0.5 - 13	50	111	117	3.1	16.296.100.13.Z	30335989
50	WTE 16 IKT	2.5 - 16	57	121	127	1.7	16.296.50.16.Z	30336008
63	WTE 16 IKT	2.5 - 16	57	109	115	1.9	16.296.63.16.Z	30336018
80	WTE 16 IK	2.5 - 16	57	114	120	2.3	16.296.80.16.Z	30336025
100	WTE 16 IK	2.5 - 16	57	116	122	3.3	16.296.100.16.Z	30335993

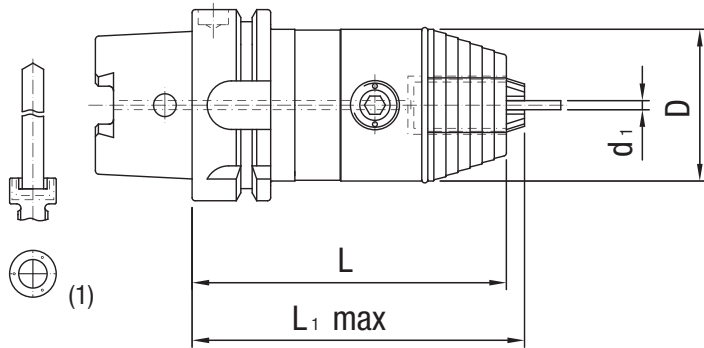
- (1) WTE 08 sealing disk (ø 3.2 mm) integrated into the drill chuck head, for inner coolant drills ø 4-8 mm with smooth shank acc. to DIN 6535, Form HA.
- (2) WTE 08 sealing disk (ø 1.8mm) included in scope of supply, for inner coolant drills ø 2-4 mm with smooth shank acc. to DIN 6535, Form HA.

- (1) WTE 13 sealing disk (ø 4.2 mm) integrated into the drill chuck head, for inner coolant drills ø 6-13 mm with smooth shank acc. to DIN 6535, Form HA.
- (2) WTE 13 sealing disk (ø 2.05 mm) included in scope of supply, for inner coolant drills ø 3-6 mm with smooth shank acc. to DIN 6535, Form HA.

- (1) WTE 16 sealing disk (ø 4.2 mm) integrated into the drill chuck head, for inner coolant drills ø 6-16 mm with smooth shank acc. to DIN 6535, Form HA.
- (2) WTE 16 sealing disk (ø 2.05 mm) included in scope of supply, for inner coolant drills ø 3-6 mm with smooth shank acc. to DIN 6535, Form HA.

Dimensions in mm.
 Coolant pipe not included in scope of supply.
 Spare parts and accessories at the end of this chapter. Custom designs available on request.

CNC Precision Drill Chuck DIN 69893-A

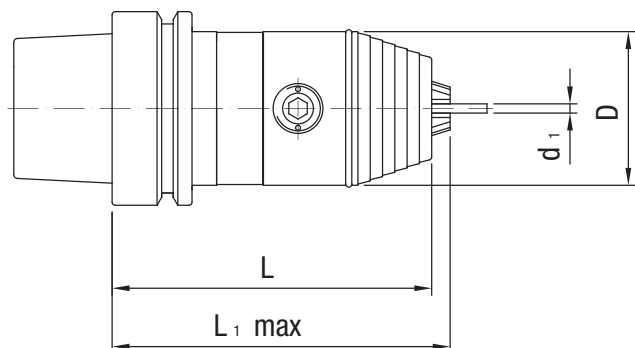


Nominal size HSK-A	WTE Norm	Clamping range	Dimensions			Weight [kg]	Order designation	Order No.
			d ₁	D	L			
32	WTE 08	0.3 - 8	36	90	93	0.5	16.296.32.08.ZBA	30335997
40	WTE 08	0.3 - 8	36	91	94	0.5	16.296.40.08.ZBA	30336000
50	WTE 08	0.3 - 8	36	95	98	0.7	16.296.50.08.ZBA	30336003
63	WTE 08	0.3 - 8	36	96	99	1.1	16.296.63.08.ZBA	30336012
50	WTE 13	0.5 - 13	50	116	122	1.4	16.296.50.13.ZBA	30336006
63	WTE 13	0.5 - 13	50	104	110	1.7	16.296.63.13.ZBA	30336016
80	WTE 13	0.5 - 13	50	109	115	2.1	16.296.80.13.ZBA	30336023
100	WTE 13	0.5 - 13	50	111	117	3.1	16.296.100.13.ZBA	30335990
50	WTE 16	2.5 - 16	57	121	127	1.7	16.296.50.16.ZBA	30336009
63	WTE 16	2.5 - 16	57	109	115	1.9	16.296.63.16.ZBA	30336020
80	WTE 16	2.5 - 16	57	114	120	2.3	16.296.80.16.ZBA	30336026
100	WTE 16	2.5 - 16	57	116	122	3.3	16.296.100.16.ZBA	30335994

(1) Coolant supply for tools without coolant ducts.

Dimensions in mm.
Coolant pipe not included in scope of supply.
Spare parts and accessories at the end of this chapter. Custom designs available on request.

CNC Precision Drill Chuck DIN 69893-E

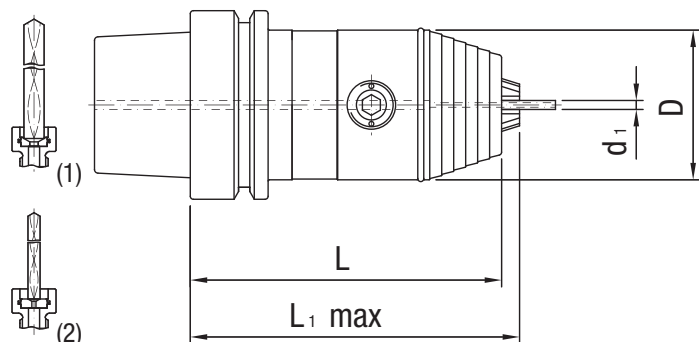


Nominal size HSK-E	WTE Norm	Clamping range	Dimensions			Weight [kg]	Order designation	Order No.
			d ₁	D	L			
40	WTE 08	0.3 - 8	36	91	94	0.7	18.296.40.08	30336033
50	WTE 08	0.3 - 8	36	95	98	1	18.296.50.08	30336035
63	WTE 08	0.3 - 8	36	96	99	1.2	18.296.63.08	30336043
50	WTE 13	0.5 - 13	50	116	122	1.5	18.296.50.13	30336038
63	WTE 13	0.5 - 13	50	104	110	1.7	18.296.63.13	30336045
50	WTE 16	2.5 - 16	57	121	127	1.6	18.296.50.16	30336041
63	WTE 16	2.5 - 16	57	109	115	1.8	18.296.63.16	30336047

Dimensions in mm.

Spare parts and accessories at the end of this chapter. Custom designs available on request.

CNC Precision Drill Chuck DIN 69893-E



Nominal size HSK-E	WTE Norm	Clamping range	Dimensions			Weight [kg]	Order designation	Order No.
			d ₁	D	L			
40	WTE 08 IK	0.3 - 8	36	91	94	0.7	18.296.40.08.Z	30336034
50	WTE 08 IK	0.3 - 8	36	95	98	1	18.296.50.08.Z	30336036
63	WTE 08 IK	0.3 - 8	36	96	99	1.2	18.296.63.08.Z	30336044
50	WTE 13 IKT	0.5 - 13	50	116	122	1.5	18.296.50.13.Z	30336039
63	WTE 13 IKT	0.5 - 13	50	104	110	1.7	18.296.63.13.Z	30336046
50	WTE 16 IKT	2.5 - 16	57	121	127	1.6	18.296.50.16.Z	30336042
63	WTE 16 IKT	2.5 - 16	57	109	115	1.8	18.296.63.16.Z	30336048

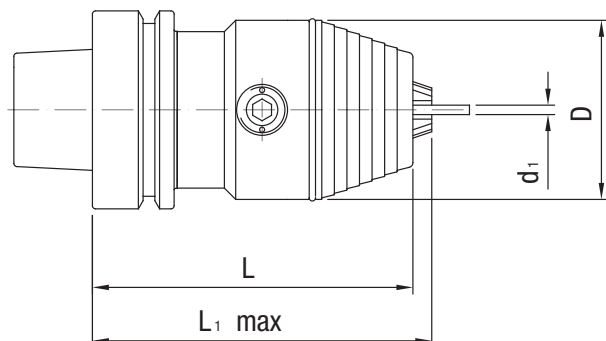
- (1) WTE 08 sealing disk (ø 3.2 mm) integrated into the drill chuck head, for inner coolant drills ø 4-8 mm with smooth shank acc. to DIN 6535, Form HA.
- (2) WTE 08 sealing disk (ø 1.8mm) included in scope of supply, for inner coolant drills ø 2-4 mm with smooth shank acc. to DIN 6535, Form HA.

- (1) WTE 13 sealing disk (ø 4.2 mm) integrated into the drill chuck head, for inner coolant drills ø 6-13 mm with smooth shank acc. to DIN 6535, Form HA.
- (2) WTE 13 sealing disk (ø 2.05 mm) included in scope of supply, for inner coolant drills ø 3-6 mm with smooth shank acc. to DIN 6535, Form HA.

- (1) WTE 16 sealing disk (ø 4.2 mm) integrated into the drill chuck head, for inner coolant drills ø 6-16 mm with smooth shank acc. to DIN 6535, Form HA.
- (2) WTE 16 sealing disk (ø 2.05 mm) included in scope of supply, for inner coolant drills ø 3-6 mm with smooth shank acc. to DIN 6535, Form HA.

Dimensions in mm.
 Coolant pipe not included in scope of supply.
 Installation tool for sealing disk, spare parts and accessories at the end of this chapter.
 Custom designs available on request.

CNC Precision Drill Chuck DIN 69893-F

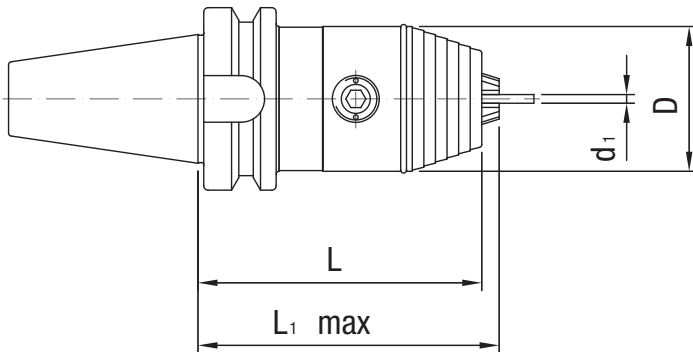


Nominal size HSK-F	WTE Norm	Clamping range	Dimensions			Weight [kg]	Order designation	Order No.
			d ₁	D	L			
40	WTE 08	0.3 - 8	36	87	90	0.6	17.296.40.08	30336027
50	WTE 13	0.5 - 13	50	116	122	1.5	17.296.50.13	30336028
63	WTE 13	0.5 - 13	50	97	103	1.7	17.296.63.13	30336031
50	WTE 16	2.5 - 16	57	121	127	1.6	17.296.50.16	30336029
63	WTE 16	2.5 - 16	57	102	108	1.8	17.296.63.16	30336032

Dimensions in mm.

Spare parts and accessories at the end of this chapter. Custom designs available on request.

CNC Precision Drill Chuck ISO 7388-2 (JIS B6339), Form J



Nominal size BT	WTE Norm	Clamping range	Dimensions			Weight [kg]	Order designation	Order No.
			d ₁	D	L			
30	WTE 08	0.3 - 8	36	74	77	0.7	20.296.30.08	30336049
35	WTE 08	0.3 - 8	36	75	78	1	20.296.35.08	30336052
40	WTE 08	0.3 - 8	36	78	81	1.4	20.296.40.08	30336055
30	WTE 13	0.5 - 13	50	96	102	1.3	20.296.30.13	30336050
35	WTE 13	0.5 - 13	50	95	101	1.4	20.296.35.13	30336053
40	WTE 13	0.5 - 13	50	98	104	1.8	20.296.40.13	30336056
50	WTE 13	0.5 - 13	50	110	116	4.4	20.296.50.13	30336060
40	WTE 16	2.5 - 16	57	103	109	2	20.296.40.16	30336057
50	WTE 16	2.5 - 16	57	115	121	4.7	20.296.50.16	30336061

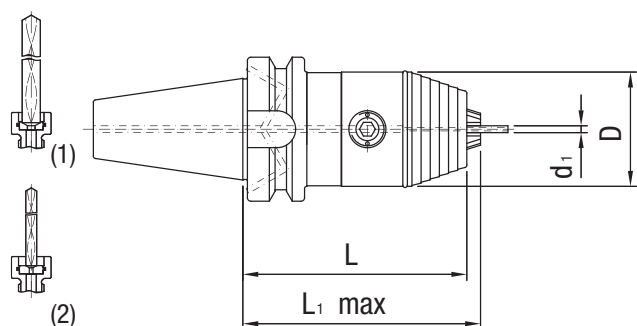
Dimensions in mm.

Spare parts and accessories at the end of this chapter.

Version with face connection and custom designs available on request.

CNC Precision Drill Chuck ISO 7388-2 (JIS B6339)

Coolant supply as per ISO 7388-2, Form JD/JF



Nominal size BT	WTE Norm	Clamping range	Dimensions			Weight [kg]	Order designation	Order No.
			d ₁	D	L			
40	WTE 08 IK	0.3 - 8	36	81	84	1.3	22.296.40.08	30336062
40	WTE 13 IK	0.5 - 13	50	98	104	1.8	22.296.40.13	30336064
50	WTE 13 IK	0.5 - 13	50	110	116	4.4	22.296.50.13	30336070
40	WTE 16 IK	2.5 - 16	57	103	109	2	22.296.40.16	30336067
50	WTE 16 IK	2.5 - 16	57	115	121	4.7	22.296.50.16	30336072

- (1) WTE 08 sealing disk (ø 3.2 mm) integrated into the drill chuck head, for inner coolant drills ø 4-8 mm with smooth shank acc. to DIN 6535, Form HA.
- (2) WTE 08 sealing disk (ø 1.8mm) included in scope of supply, for inner coolant drills ø 2-4 mm with smooth shank acc. to DIN 6535, Form HA.

- (1) WTE 13 sealing disk (ø 4.2 mm) integrated into the drill chuck head, for inner coolant drills ø 6-13 mm with smooth shank acc. to DIN 6535, Form HA.
- (2) WTE 13 sealing disk (ø 2.05 mm) included in scope of supply, for inner coolant drills ø 3-6 mm with smooth shank acc. to DIN 6535, Form HA.

- (1) WTE 16 sealing disk (ø 4.2 mm) integrated into the drill chuck head, for inner coolant drills ø 6-16 mm with smooth shank acc. to DIN 6535, Form HA.
- (2) WTE 16 sealing disk (ø 2.05 mm) included in scope of supply, for inner coolant drills ø 3-6 mm with smooth shank acc. to DIN 6535, Form HA.

Dimensions in mm.

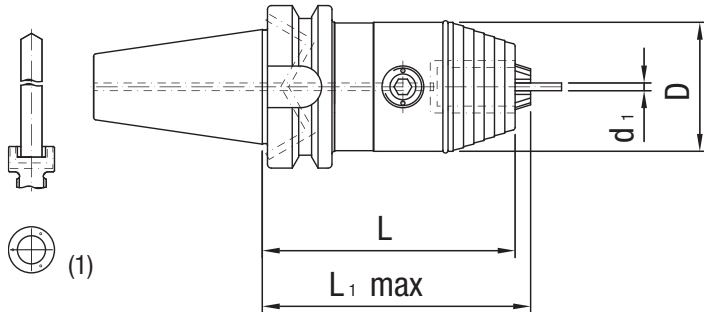
Basic form JD. Please indicate form JF (prev. B) in your order.

Spare parts and accessories at the end of this chapter.

Version with face connection and custom designs available on request.

CNC Precision Drill Chuck ISO 7388-2 (JIS B6339)

Coolant supply as per ISO 7388-2, Form JD/JF



Nominal size BT	WTE Norm	Clamping range	Dimensions			Weight [kg]	Order designation	Order No.
			d ₁	D	L			
40	WTE 08 IK	0.3 - 8	36	81	84	1.3	22.296.40.08.ZBA	30336063
40	WTE 13 IK	0.5 - 13	50	98	104	1.8	22.296.40.13.ZBA	30336065
50	WTE 13 IK	0.5 - 13	50	110	116	4.4	22.296.50.13.ZBA	30336071
40	WTE 16 IK	2.5 - 16	57	103	109	2	22.296.40.16.ZBA	30336068
50	WTE 16 IK	2.5 - 16	57	115	121	4.7	22.296.50.16.ZBA	30336073

(1) Coolant supply for tools without coolant ducts.

Dimensions in mm.

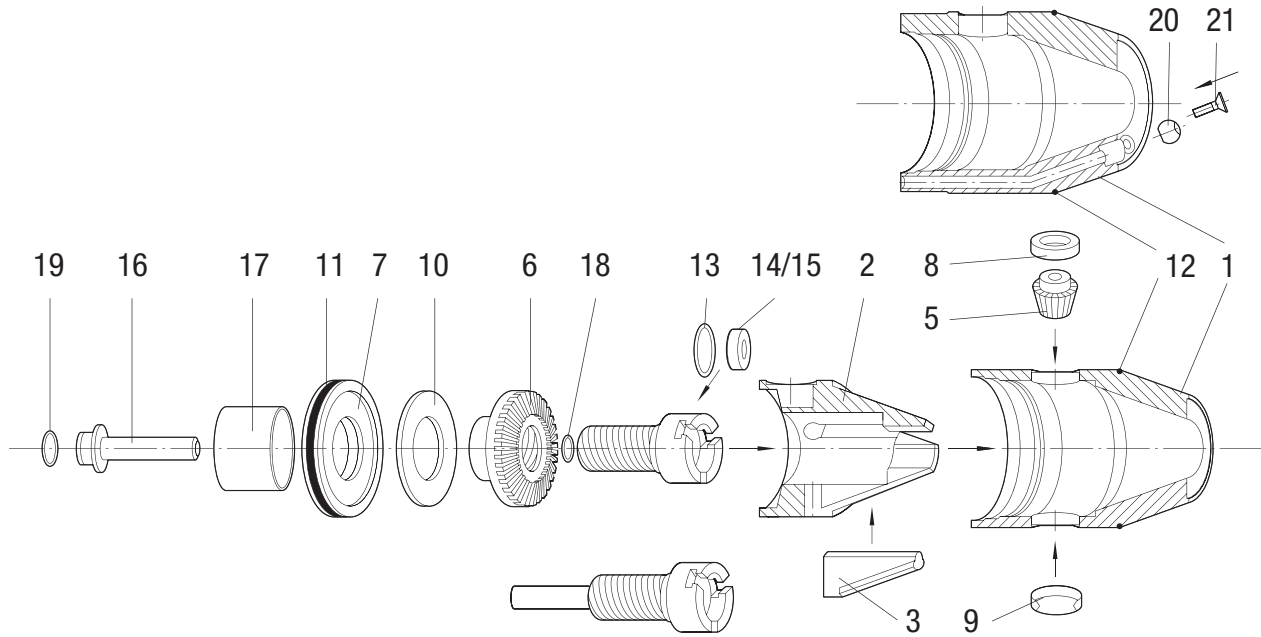
Basic form JD. Please indicate form JF (prev. B) in your order.

Spare parts and accessories at the end of this chapter.

Version with face connection and custom designs available on request.

Spare parts for CNC Precision Drill Chuck

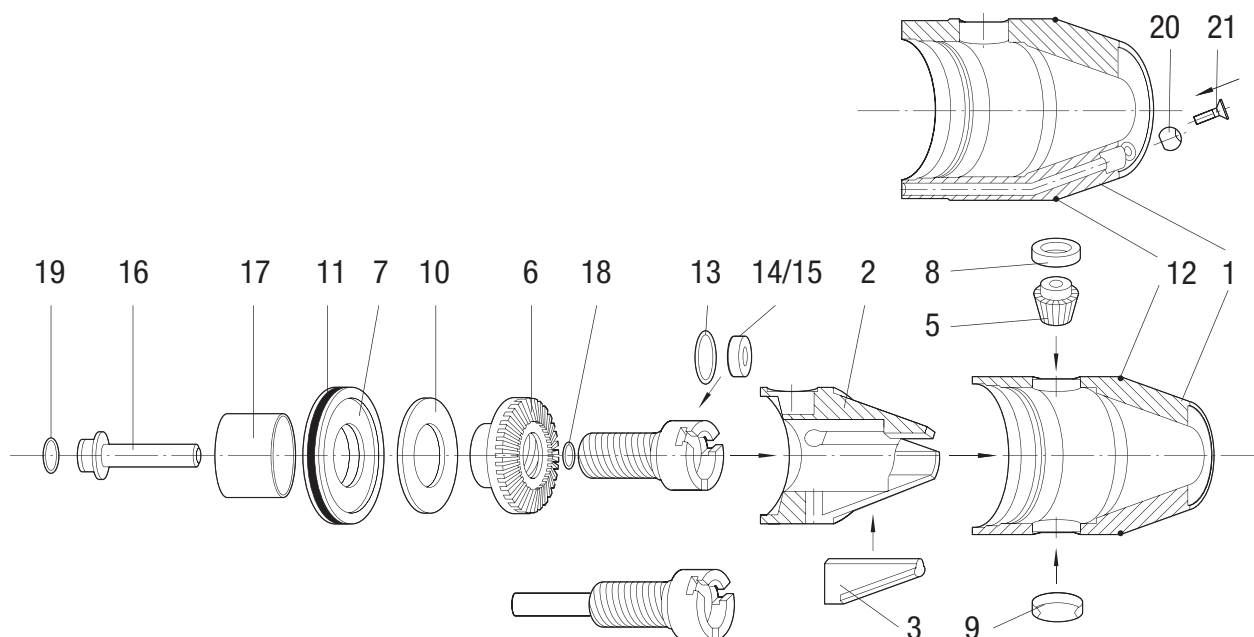
For design WTE 08



Nr.	Description	Order designation	Order No.
1	Sleeve	89.208.01	30266093
2	Expansion cone	89.208.02	30266130
3	Clamping jaws (1 set = 3 pieces)	89.208.03	30266138
4	Spindle	89.208.04	30266107
5	Pinion	89.208.05	30266141
6	Bevel gear	89.208.06	30266194
7	Thrust Piece	89.208.07	30266164
8	Pinion screw	89.208.08	30266192
9	Cover	89.208.09	30266152
10	Stop disc	89.208.10	30266156
11	O-ring 24 x 1	89.208.11	10072512
12	O-ring, red	89.208.39	30263594

Spare parts for CNC Precision Drill Chuck

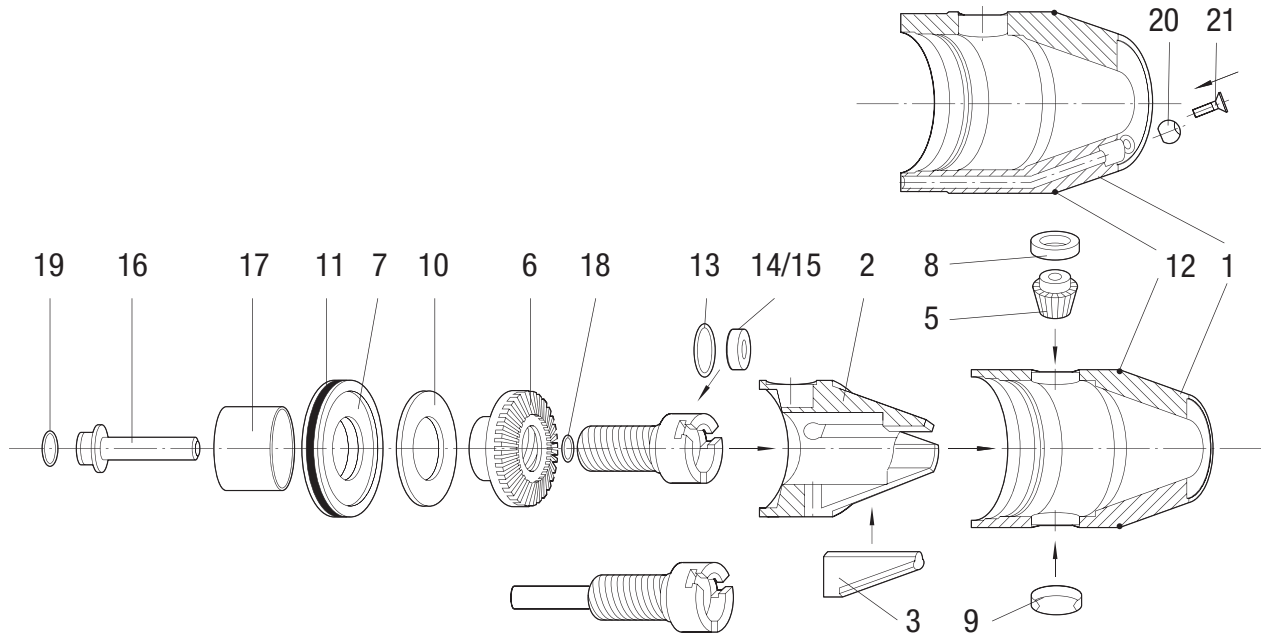
For design WTE 08 IK



Nr.	Description	Order designation	Order No.
1	Sleeve	89.208.01	30266093
2	Expansion cone	89.208.02	30266130
3	Clamping jaws (1 set = 3 pieces)	89.208.03	30266138
4	Spindle	89.208.13	30266108
5	Pinion	89.208.05	30266141
6	Bevel gear	89.208.06	30266194
7	Thrust Piece	89.208.07	30266164
8	Pinion screw	89.208.08	30266192
9	Cover	89.208.09	30266152
10	Stop disc	89.208.10	30266156
11	O-ring 24 x 1	89.208.11	10072512
12	O-ring, red	89.208.39	30263594
13	O-ring 8 x 1	89.208.14	10015675
14	Gasket \varnothing 1.8 - 4	89.208.15	30266123
15	Gasket \varnothing 3.2 - 8	89.208.16	30266125
19	O-ring 8 x 1.5	89.213.20	10015676

Spare parts for CNC Precision Drill Chuck

For design WTE 08 VDI

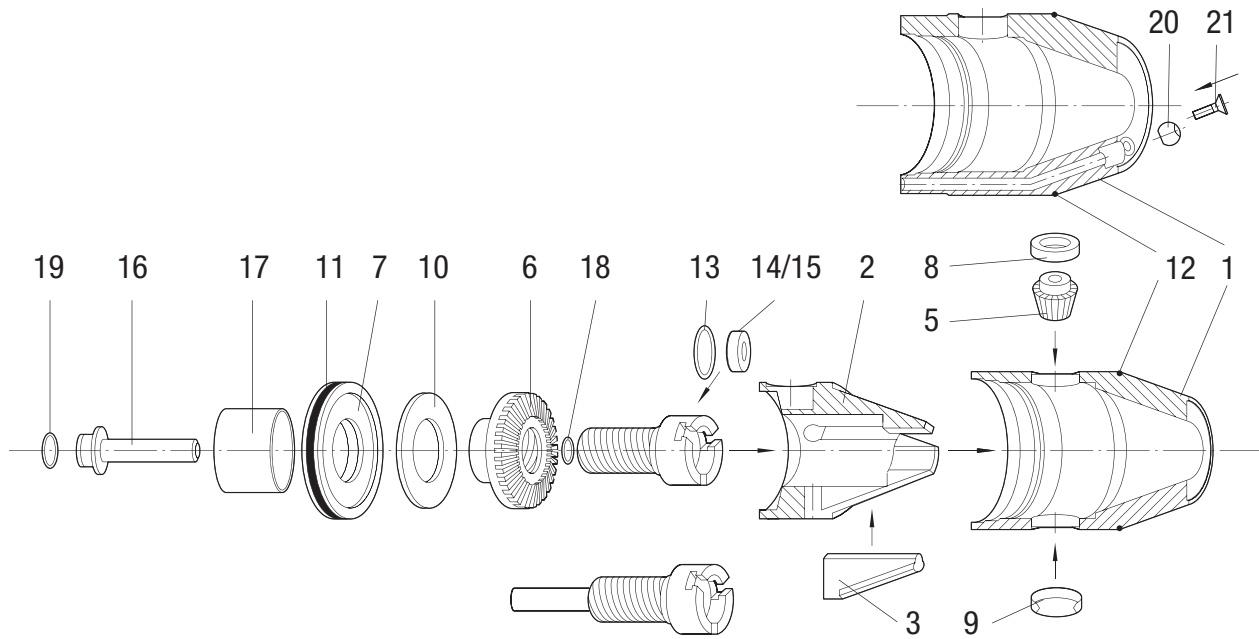


Nr.	Description	Order designation	Order No.
1	Sleeve	89.208.17	30266094
2	Expansion cone	89.208.02	30266130
3	Clamping jaws (1 set = 3 pieces)	89.208.03	30266138
4	Spindle	89.208.04	30266107
5	Pinion	89.208.05	30266141
6	Bevel gear	89.208.06	30266194
7	Thrust Piece	89.208.07	30266164
8	Pinion screw	89.208.08	30266192
10	Stop disc	89.208.10	30266156
11	O-ring 24 x 1	89.208.11	10072512
12	O-ring, red	89.208.39	30263594
20	Ball ø 5.5	89.208.18	30266161
21	Countersunk screw	89.208.19	10003770

Dimensions in mm.

Spare parts for CNC Precision Drill Chuck

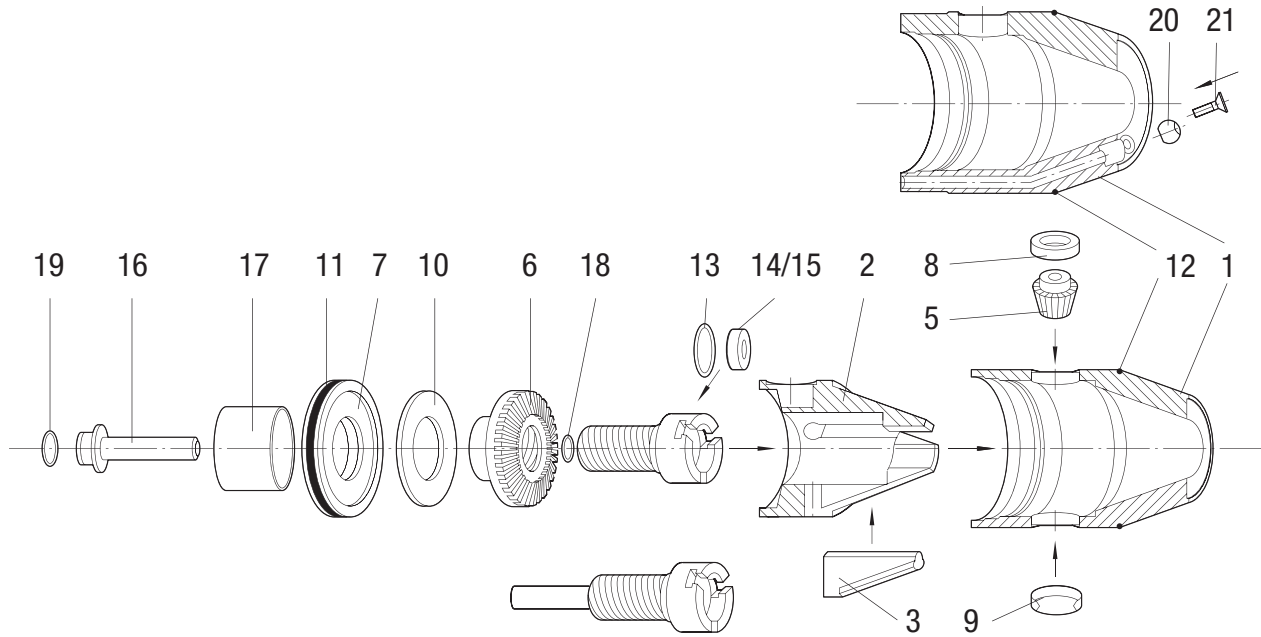
For design WTE 13



Nr.	Description	Order designation	Order No.
1	Sleeve	89.213.01	30266096
2	Expansion cone	89.213.02	30266133
3	Clamping jaws (1 set = 3 pieces)	89.213.03	30266139
4	Spindle	89.213.04	30266111
5	Pinion	89.213.05	30266142
6	Bevel gear	89.213.06	30266195
7	Thrust Piece	89.213.07	30266165
8	Pinion screw	89.213.08	30266193
9	Cover	89.213.09	30266153
10	Stop disc	89.213.10	30266155
11	O-ring 38x1.5	89.213.11	10019664
12	O-ring, red	89.213.39	30346068

Spare parts for CNC Precision Drill Chuck

For design WTE 13 IK

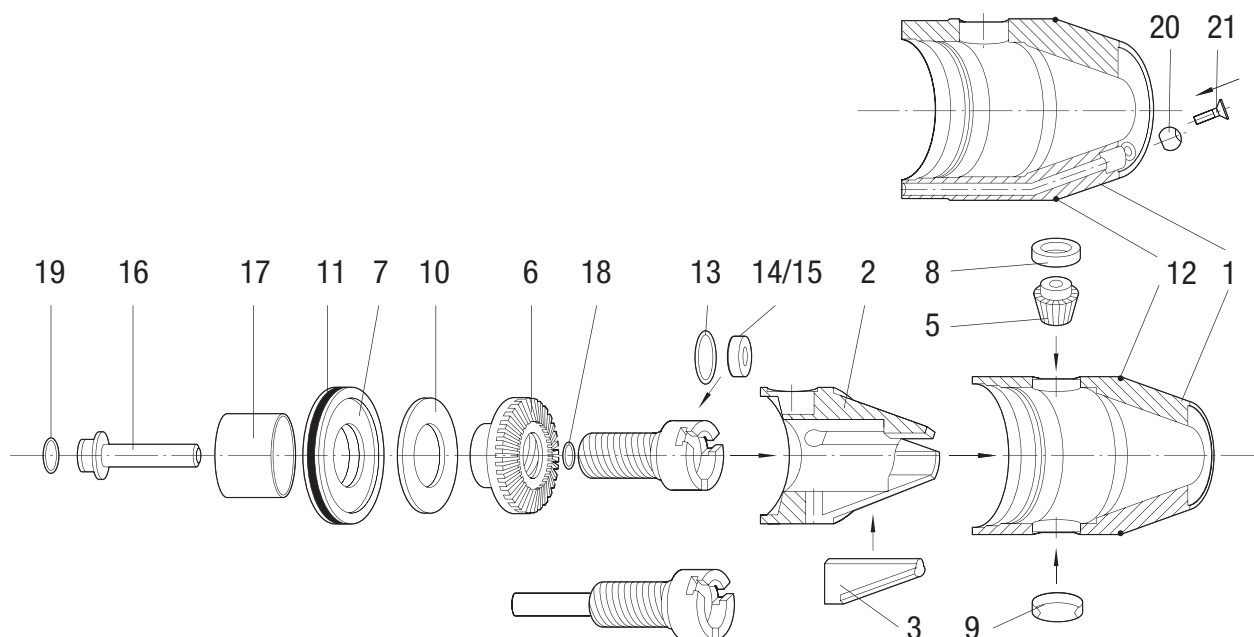


Nr.	Description	Order designation	Order No.
1	Sleeve	89.213.01	30266096
2	Expansion cone	89.213.02	30266133
3	Clamping jaws (1 set = 3 pieces)	89.213.03	30266139
4	Spindle	89.213.13	30266112
5	Pinion	89.213.05	30266142
6	Bevel gear	89.213.06	30266195
7	Thrust Piece	89.213.07	30266165
8	Pinion screw	89.213.08	30266193
9	Cover	89.213.09	30266153
10	Stop disc	89.213.10	30266155
11	O-ring 38x1.5	89.213.11	10019664
12	O-ring, red	89.213.39	30346068
13	O-ring 13x1.5	89.213.14	10002538
14	Gasket ø 3-6	89.213.15	30266126
15	Gasket ø 6-13	89.213.16	30266127
19	O-ring 8 x 1.5	89.213.20	10015676

Dimensions in mm.

Spare parts for CNC Precision Drill Chuck

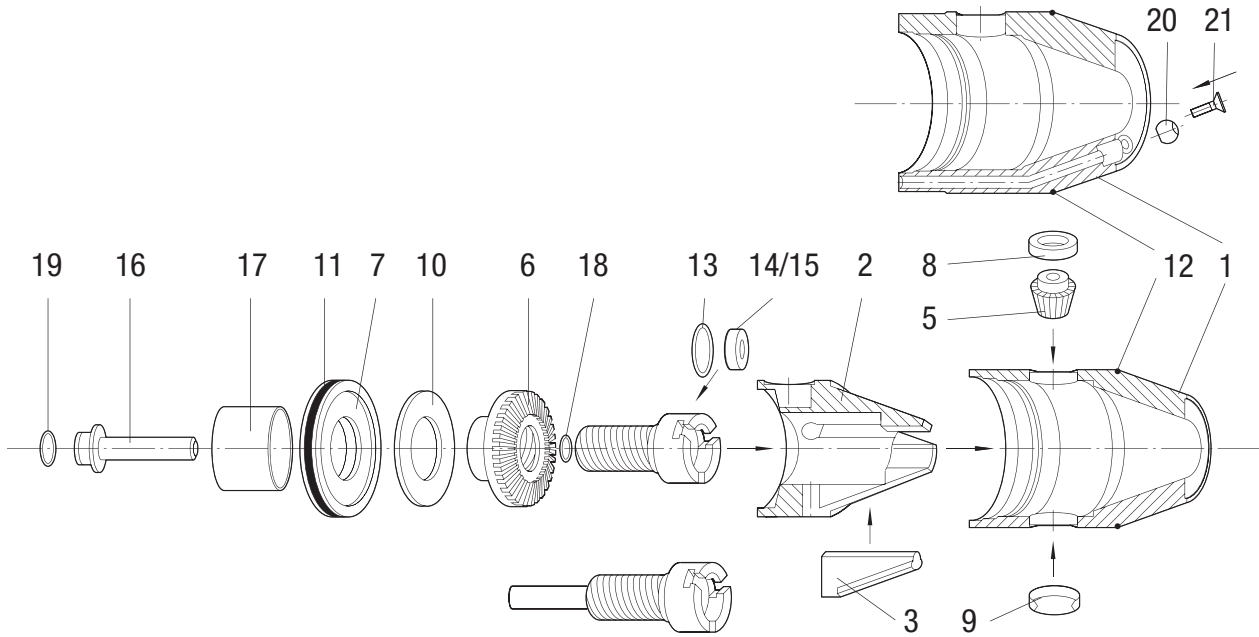
For design WTE 13 IKT



Nr.	Description	Order designation	Order No.
1	Sleeve	89.213.01	30266096
2	Expansion cone	89.213.02	30266133
3	Clamping jaws (1 set = 3 pieces)	89.213.03	30266139
4	Spindle	89.213.28	30266114
5	Pinion	89.213.05	30266142
6	Bevel gear	89.213.06	30266195
7	Thrust Piece	89.213.07	30266165
8	Pinion screw	89.213.08	30266193
9	Cover	89.213.09	30266153
10	Stop disc	89.213.10	30266155
11	O-ring 38x1.5	89.213.11	10019664
12	O-ring, red	89.213.39	30346068
13	O-ring 13x1.5	89.213.14	10002538
14	Gasket ø 3-6	89.213.15	30266126
15	Gasket ø 6-13	89.213.16	30266127
16	Coolant pipe	89.213.29	30266167
17	Spacer	89.213.30	30266168
18	O-ring 6 x 1.5	89.213.36	10002608
19	O-ring 8 x 1.5	89.213.20	10015676

Spare parts for CNC Precision Drill Chuck

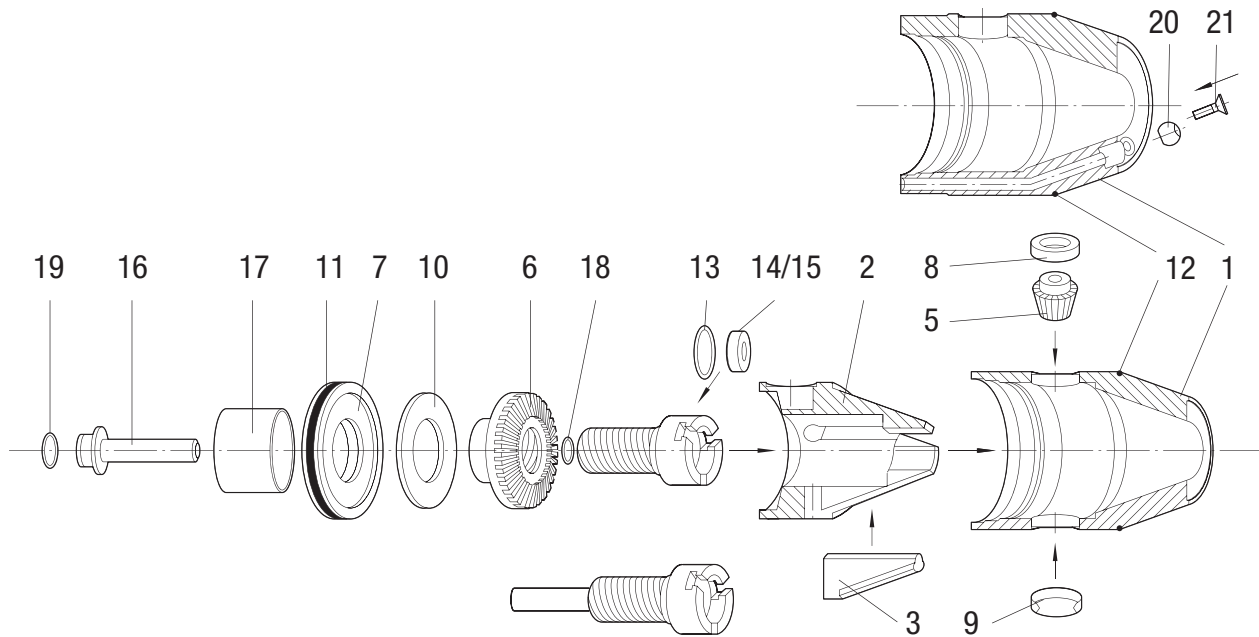
For design WTE 13 VDI



Nr.	Description	Order designation	Order No.
1	Sleeve	89.213.17	30266097
2	Expansion cone	89.213.02	30266133
3	Clamping jaws (1 set = 3 pieces)	89.213.03	30266139
4	Spindle	89.213.04	30266111
5	Pinion	89.213.05	30266142
6	Bevel gear	89.216.06	30266196
7	Thrust Piece	89.213.07	30266165
8	Pinion screw	89.213.08	30266193
10	Stop disc	89.213.10	30266155
11	O-ring 38x1.5	89.213.11	10019664
12	O-ring, red	89.216.12	30269069
20	Ball \varnothing 7	89.213.18	30266163
21	Countersunk screw	89.213.19	30336466

Spare parts for CNC Precision Drill Chuck

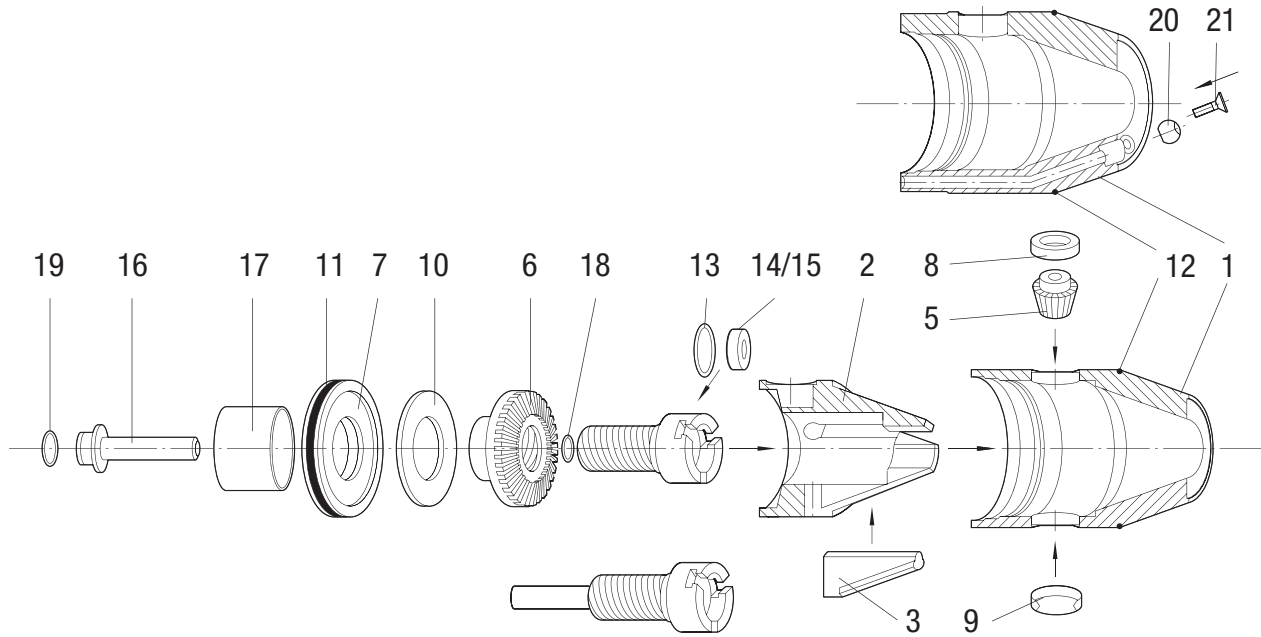
For design WTE 16



Nr.	Description	Order designation	Order No.
1	Sleeve	89.216.72	30266099
2	Expansion cone	89.216.71	30266134
3	Clamping jaws (1 set = 3 pieces)	89.213.03	30266139
4	Spindle	89.216.04	30266146
5	Pinion	89.216.05	30266143
6	Bevel gear	89.216.06	30266196
7	Thrust Piece	89.213.07	30266165
8	Pinion screw	89.213.08	30266193
9	Cover	89.213.09	30266153
10	Stop disc	89.213.10	30266155
11	O-ring 38x1.5	89.213.11	10019664
12	O-ring, red	89.216.39	30263595

Spare parts for CNC Precision Drill Chuck

For design WTE 16 IK

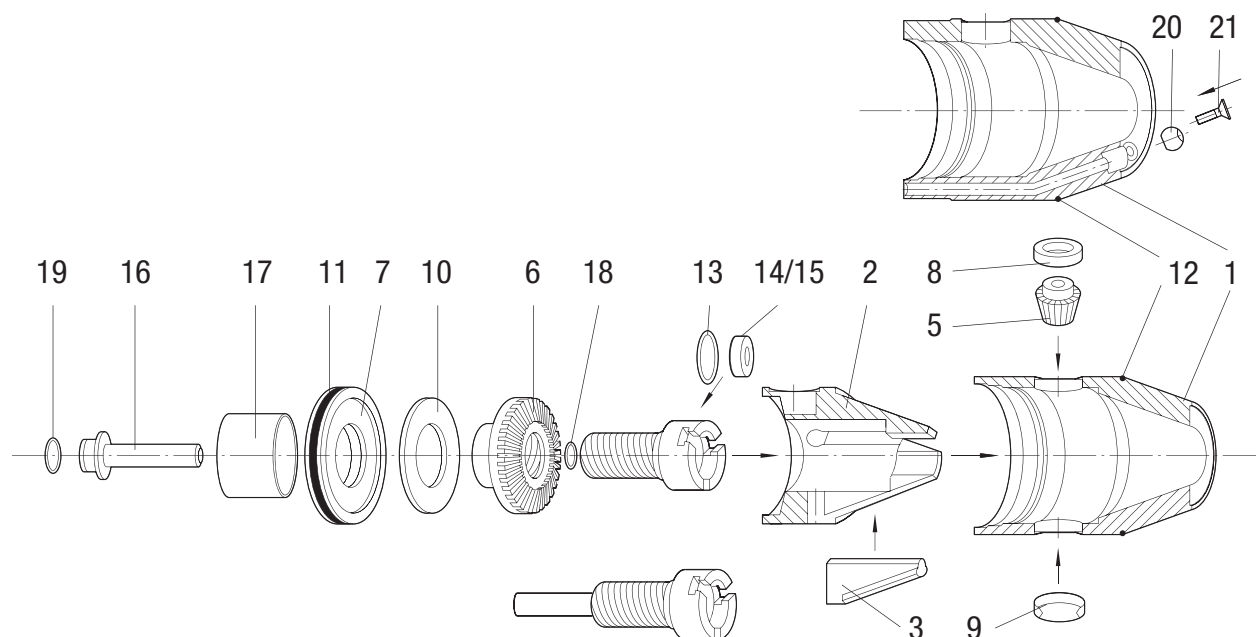


Nr.	Description	Order designation	Order No.
1	Sleeve	89.216.72	30266099
2	Expansion cone	89.216.71	30266134
3	Clamping jaws (1 set = 3 pieces)	89.213.03	30266139
4	Spindle	89.216.13	30266147
5	Pinion	89.216.05	30266143
6	Bevel gear	89.216.06	30266196
7	Thrust Piece	89.213.07	30266165
8	Pinion screw	89.213.08	30266193
9	Cover	89.213.09	30266153
10	Stop disc	89.213.10	30266155
11	O-ring 38x1.5	89.213.11	10019664
12	O-ring, red	89.216.39	30263595
13	O-ring 16 x 1.5	89.216.14	10002547
14	Gasket ø 3-6	89.216.15	30266128
15	Gasket ø 6-16	89.216.16	30266129
19	O-ring 8 x 1.5	89.213.20	10015676

Dimensions in mm.

Spare parts for CNC Precision Drill Chuck

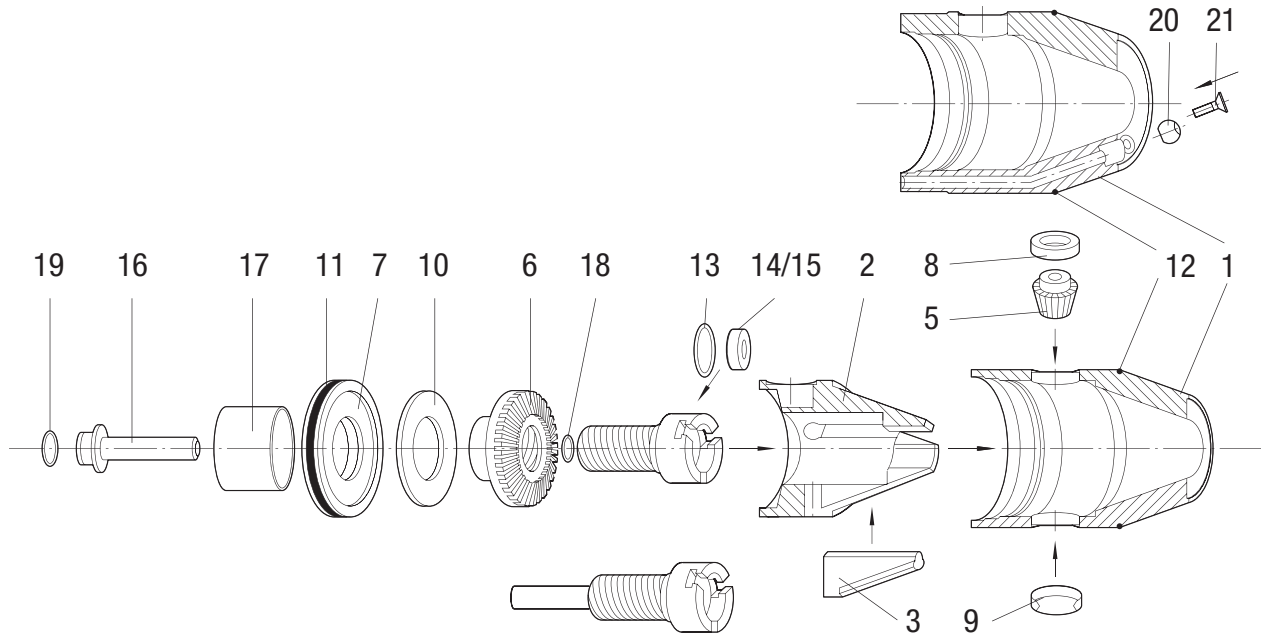
For design WTE 16 IKT



Nr.	Description	Order designation	Order No.
1	Sleeve	89.216.72	30266099
2	Expansion cone	89.216.71	30266134
3	Clamping jaws (1 set = 3 pieces)	89.213.03	30266139
4	Spindle	89.216.13	30266147
5	Pinion	89.216.05	30266143
6	Bevel gear	89.216.06	30266196
7	Thrust Piece	89.213.07	30266165
8	Pinion screw	89.213.08	30266193
9	Cover	89.213.09	30266153
10	Stop disc	89.213.10	30266155
11	O-ring 38x1.5	89.213.11	10019664
12	O-ring, red	89.216.39	30263595
13	O-ring 16 x 1.5	89.216.14	10002547
14	Gasket ø 3-6	89.216.15	30266128
15	Gasket ø 6-16	89.216.16	30266129
16	Coolant pipe	89.213.29	30266167
17	Spacer	89.213.30	30266168
18	O-ring 6 x 1.5	89.213.36	10002608
19	O-ring 8 x 1.5	89.213.20	10015676

Spare parts for CNC Precision Drill Chuck

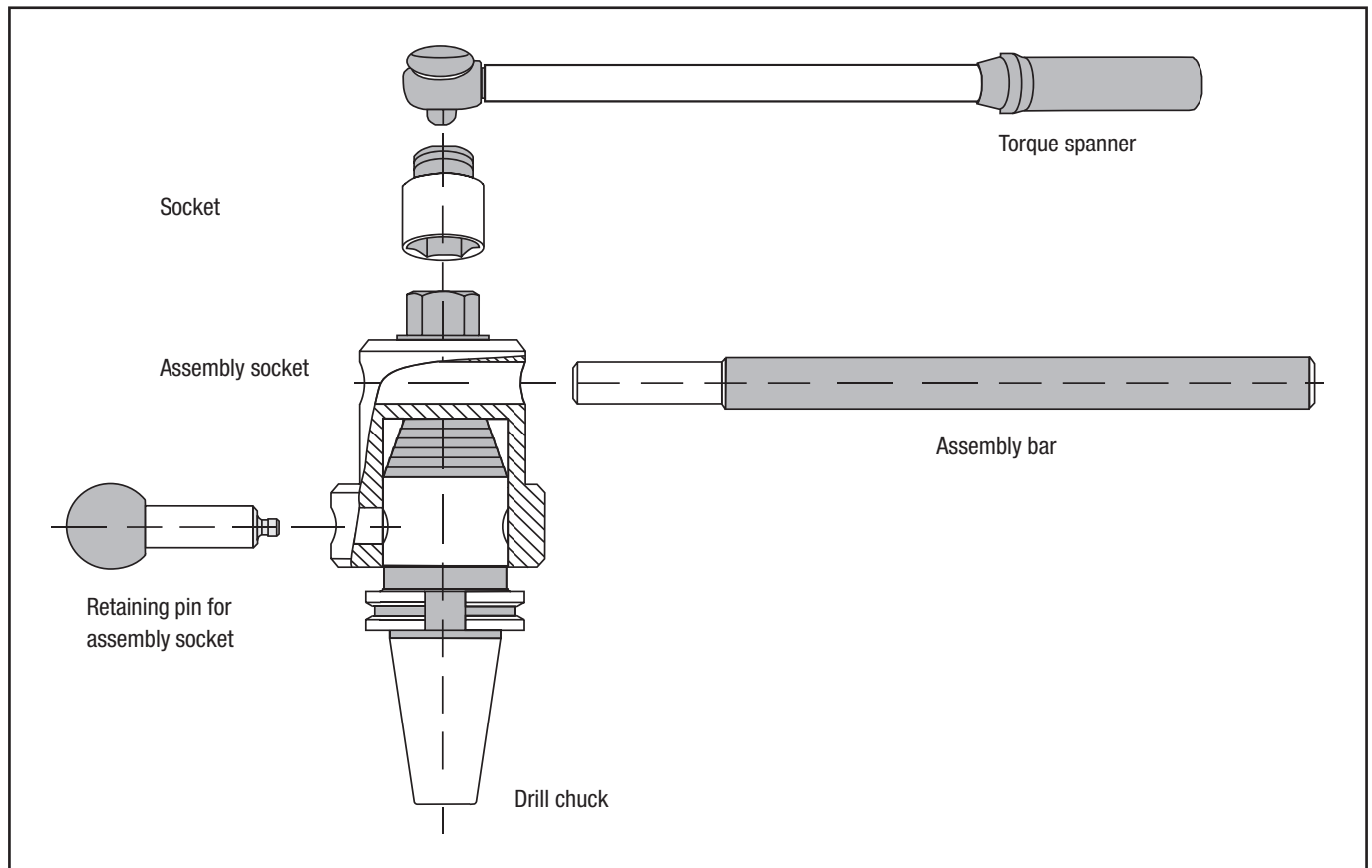
For design WTE 16 VDI



Nr.	Description	Order designation	Order No.
1	Sleeve	89.216.17	30266100
2	Expansion cone	89.216.10	30336482
3	Clamping jaws (1 set = 3 pieces)	89.213.03	30266139
4	Spindle	89.216.04	30266146
5	Pinion	89.216.05	30266143
6	Bevel gear	89.216.06	30266196
7	Thrust Piece	89.213.07	30266165
8	Pinion screw	89.213.08	30266193
10	Stop disc	89.213.10	30266155
11	O-ring 38x1.5	89.213.11	10019664
12	O-ring, red	89.216.12	30269069
20	Ball ø 7	89.213.18	30266163
21	Countersunk screw	89.213.19	30336466

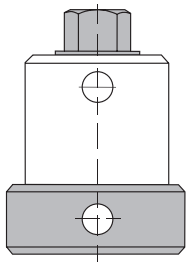
Dimensions in mm.

Overview of the installation tools for CNC Precision Drill Chucks



Assembly Socket

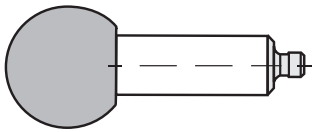
Including retaining pins



No.	Suitable for	Weight [kg]	Order designation	Order No.
1	WTE 08/08 IK	0.3	89.208.22	30266169
2	WTE 08 VDI	0.3	89.208.23	30266170
3	WTE 13/13 IK/13 IKT	0.4	89.213.23	30266171
4	WTE 13 VDI/16/16 IK/16 IKT/16 VDI	0.5	89.216.25	30336487

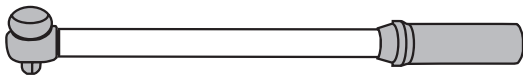
Retaining Pins

For Assembly Socket



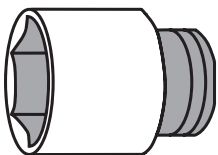
Fits	Weight [kg]	Order designation	Order No.
No. 1 / No. 2	0.3	89.208.26	30336449
No. 3 / No. 4	0.3	89.213.26	30266176

Torque Spanner



Tightening value	Square drive	Order designation	Order No.
20 - 120 Nm	1/2 "	89.208.35	30266178

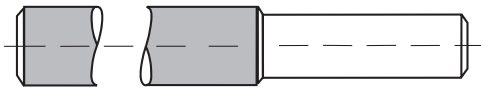
Socket



Hexagon	Square drive	Order designation	Order No.
sw 19	1/2 "	89.208.34	30266180

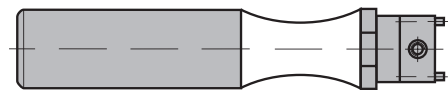
Assembly Bar

Fits Assembly Sockets



Weight [kg]	Order designation	Order No.
1.0	89.208.30	30266181

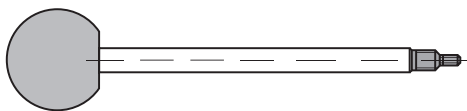
Pinion Screwdriver



WTE Norm	Weight [kg]	Order designation	Order No.
WTE 08	0.04	89.208.24	30266182
WTE 13 / 16	0.04	89.213.21	30266183

Assembly Tool

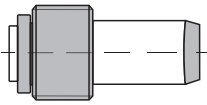
For sealing discs



WTE Norm	Weight [kg]	Order designation	Order No.
WTE 08	0.03	89.208.44	30266184
WTE 13 / 16	0.03	89.213.44	30336476

Coolant Transfer Pipe

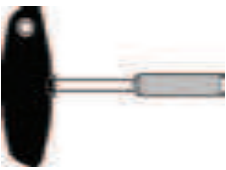
For DIN 69893-A/E



HSK	Weight [kg]	Order designation	Order No.
32	0.01	89.220.72	30326003
40	0.01	89.220.73	30326004
50	0.02	89.220.74	30326005
63	0.02	89.220.75	30326006
80	0.02	89.220.76	30326007
100	0.03	89.220.77	30326008

Assembly Key

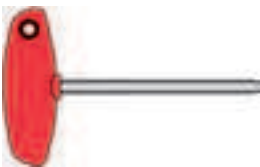
For Coolant Transfer Pipe



sw	Weight [kg]	Order designation	Order No.
32	0.01	89.206.20	10074750
40	0.01	89.206.21	10074751
50	0.01	89.206.22	10074752
63	0.01	89.206.23	10040110
80	0.02	89.206.24	10074774
100	0.02	89.206.25	10074775

Hexagonal T-key

For pinion activation



sw	l	Weight [kg]	WTE Norm	Order designation	Order No.
4	100	0.03	WTE 08	89.206.07	10006235
6	100	0.03	WTE 13 / 16	89.206.06	10006237

Dimensions in mm.